

Flygt Pump SXM2GT

Water uplift to ground level

Submersible pumps for water uplift to ground level after treatment.
Versatile, corrosion resistant and compact, with integrated float.

Capacitor integrated into the pump.

The pump is cooled by the pumped liquid and equipped with thermal protection to stop the pump if overheating.



TECHNICAL FEATURES

DESIGNATION	VALUE
Rating.....	up to 14 m ³ /h
Total Head.....	up to 11 m
Phase power.....	50 Hz
Power	0,25 kW
Maximum depth of immersion.....	5 m
Temperature of the pumped liquid.....	up 0 to +40 °C
Liquid containing solids in suspension	up to 10 m
Insulation.....	class B
Protection	IP 68
Cable length (neoprene).....	5 m
Weight.....	4 Kg

OPERATING FEATURES TO 50Hz

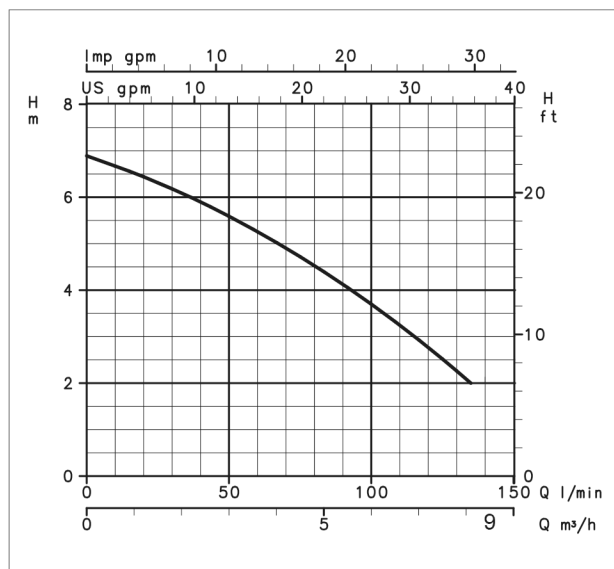
NOMINAL POWER		Q = DEBIT								
		l/min	0	25	50	75	100	125	135	
kW	CV	m^3/h	H = TOTAL HEIGHT OF PUMPING OF THE WATER COLUMN (IN METERS)							
0,25	0,33		6,9	6,3	5,6	4,7	3,7	2,5	2,0	

The performances are valid for liquids with a density $\rho = 1,0 \text{ kg/dm}^3$ and kinematic viscosity $\nu = 1 \text{ mm}^2/\text{s}$.

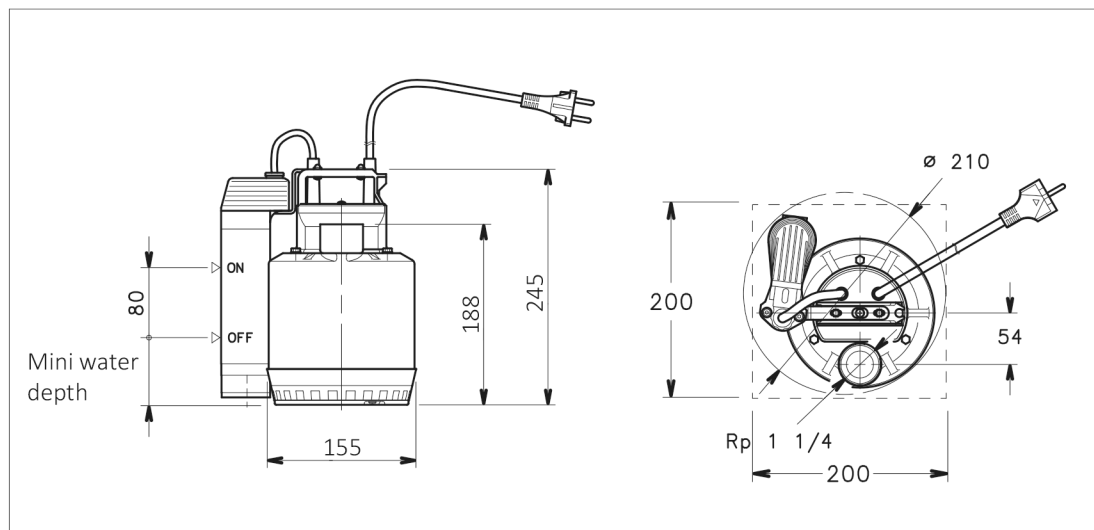
ELECTRICAL DATA

DESIGNATION	VALUE
Absorbed power*.....	0,31 kW
Current consumption 220/240 V*.....	1,43 A
Capacitor.....	6,3 μF / 450 V

*Maximum value on full load



DIMENSIONS



MATERIALS

DESIGNATION	MATERIALS	DESIGNATION	MATERIALS
Pump body.....	Noryl®	Shirt.....	Stainless steel
Suction grid.....		Motor housing.....	
Handle		Lower lid.....	
Upper bracket.....		Screws and rods.....	
Wheel.....		Shaft end.....	
Elastomers.....	NBR		